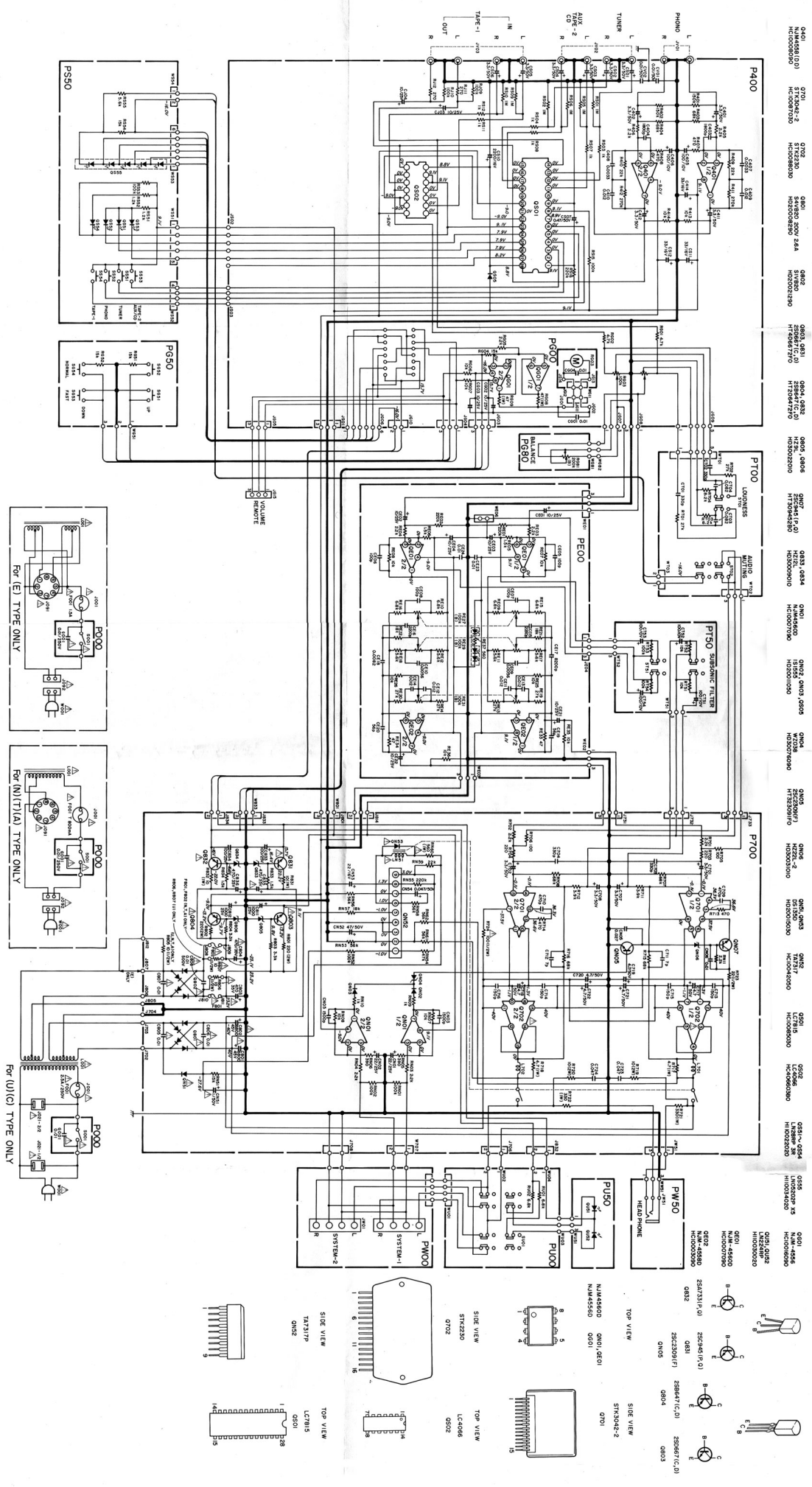


SCHEMATIC DIAGRAM FOR Model PM420



NOTE ON SAFETY:
 Symbol Fire or electrical shock hazard. Only original parts should be used to replace any part marked with symbol . Any other component substitution (other than original type), may increase risk of fire or electrical shock hazard.

Components and wiring are subject to change for modification without notice.